



T30

TRIPOD TURNSTILE

The T30 tripod turnstile is compact and simple design, with swiping-card window at the front and back. The simple framework makes it more cost-effective.

The equipment is made of 304 stainless steel, resistant to abrasion and corrosion, making it highly resilient to outdoor use. T30 has standard relay signal to be easily integrated with any access control systems, such as IC/ID card, QR/bar code, fingerprint device...

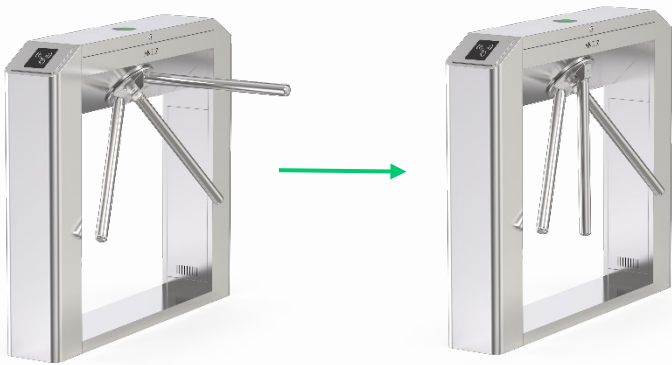
It perfectly fit install at office building, subway, stadium, hotel, park and gym.

KEY FEATURES

- Compatible with any access control systems.
- 304 Stainless steel material, durable, high quality, for long lasting use.
- Reset automatically: the gate arm will lock if not passing at preset time (5 seconds), the time can be adjusted by software.
- Rapid throughput, 35 to 40 people per minute.
- Passing direction: single directional / bi-directional, both the two directions can be switched or set as free mode.
- LED indicator on the top displays the status of passing.



- Suitable for indoor and outdoor installation.
- In case of emergency, when power goes off the arm drop down automatically, both directions are free.

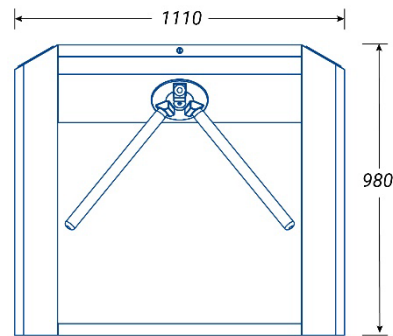
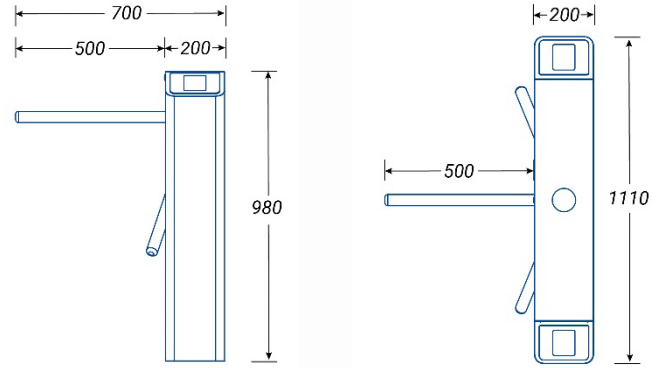


(The arm drops down automatically)

Multiple Operating Modes-optional

IC/ID card, key fob, QR/bar code, face / fingerprint / finger vein biometric recognition, push button, ESD, wireless remote control, insert coins / card / wristband, digit counter...

DRAWINGS (dimensions in mm)



TECHINICAL SPECIFICATION

Material	304 Grade Stainless Steel
Dimension	1110(L) X 200(W) X 980(H)mm
Arm Length	500mm
Passage Width	550mm standard lane
Throughput	35 to 40 people per minute
Response Time	≤0.3S
Net Weight	45Kg/pcs
Directional Mode	Uni-directional or bio-directional
Emergency Function	Arm release automatically for emergency access
Power Supply	AC220V/110V, 50/60Hz
Power Voltage	24V DC
Power Consumption	20W
MCBF	5 Million
Operating Temperature	-20 °C - 75 °C
Operating Environment	Indoor or outdoor use
Relative Humidity	≤ 95%
LED Indicators	Red cross means gate closed, green arrow means gate opened
Warranty	18 Months